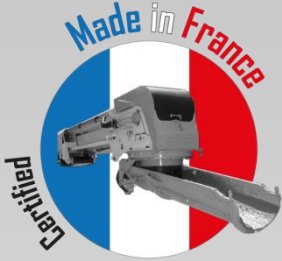


Concrete conveyor belt | RotaBELT | T3D16

new product

ROTABELT

Only conveyor without a blind spot!



360°
ROTATING CHUTE

CONVEYOR
1
IN EUROPE



Updated: 09.30.2015

SHUMAKER
INDUSTRIES

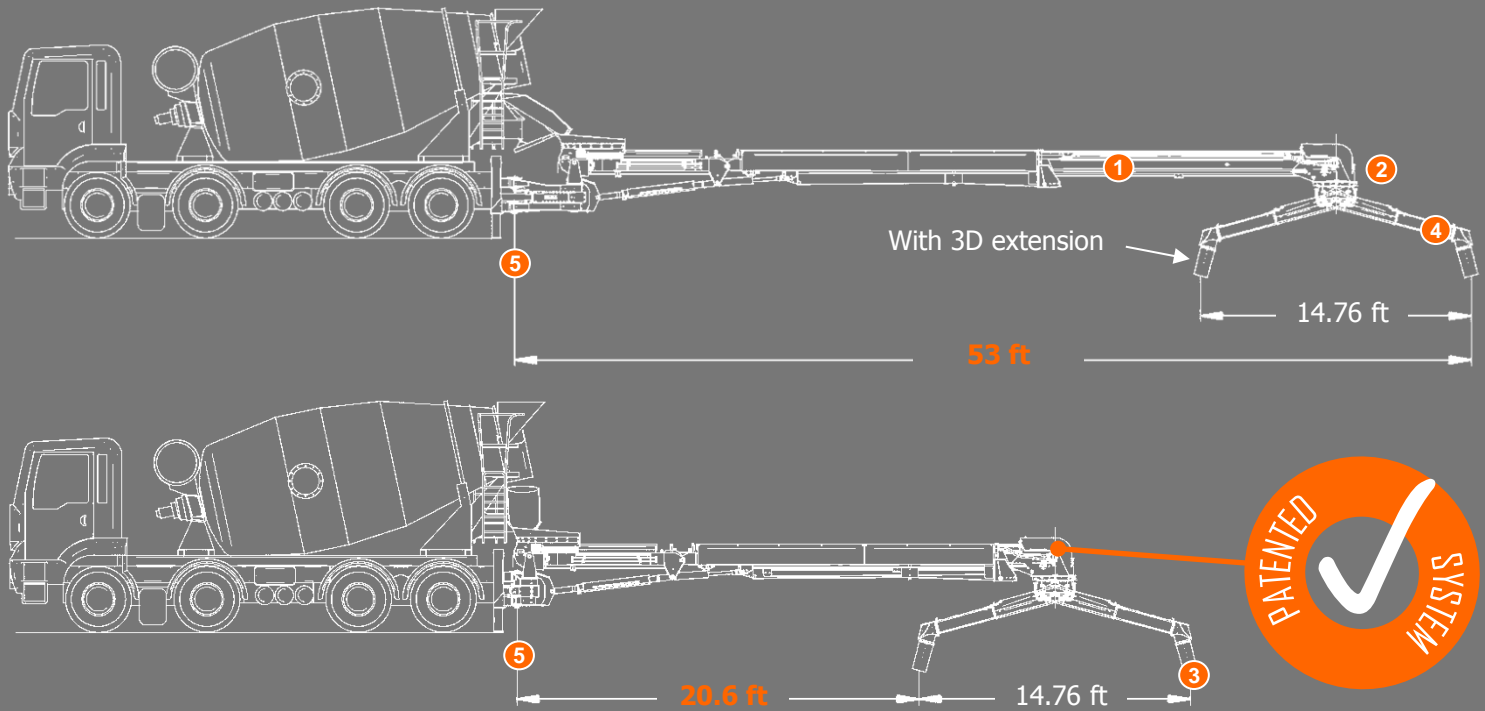
EST. 1953

Rotating chute – Telescope – Increased delivery area – 3D and chute extension included

SHUMAKER Industries – PO BOX 206, 924 Water St, Northumberland, PA 17 857- Toll free: 800-326-9349 – Local: 570-473-8861 – www.shumakerindustries.com

ROTABELT

SHUMAKER Industries - PO BOX 206, 924 Water St, Northumberland, PA 17 857- Toll free: 800-326-9349 - Local: 570-473-8861 - www.shumakerindustries.com

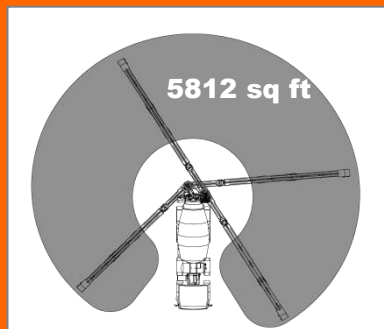


Delivery area

(approximately):

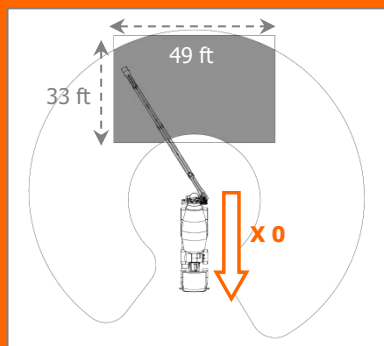


Compared to the same conveyor without rotating chute.



Example :

T3D16 conveyor covers the area of a house of 33 x 49 ft without moving the truck.



Technical features

Conveying distance	from 20.6 up to 53 ft
Belt width	14.17 in
Max. discharge rate	92 cu yds / h
Rotation angle	310°
Max. discharge height	23 ft
Weight (including stabilizers)	6,160 lbs
Steel structure	
Stabilizers	

Extreme flexibility

- Telescope of 13 ft on the second section ①
- 360° rotating chute ②
- 3D extension, ideal for shuttered walls ③
- Chute extension to gain 3.3 ft ④
- 310° rotation around the truck ⑤

Most value for money

Several standard options (dual rubber reception hopper, 3D extension, chute extension, semi-proportional hyd. distributor ...)

Maximum placing made simple

- Wireless radio control for optimum versatility
- Sliding system preventing concrete segregation and compatible with every kind of concrete plasticity
- Hood with quick opening for cleaning

Additional options

- High pressure washer
- Full-proportional controls for greater precision
- High voltage power line detector
- Detachable system