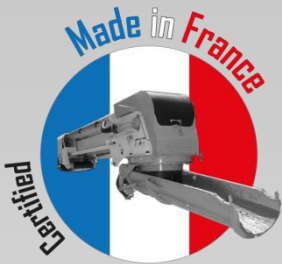


ROTABELT

Extremely versatile!



360°
ROTATING CHUTE

CONVEYOR
1
OF SALES in Europe

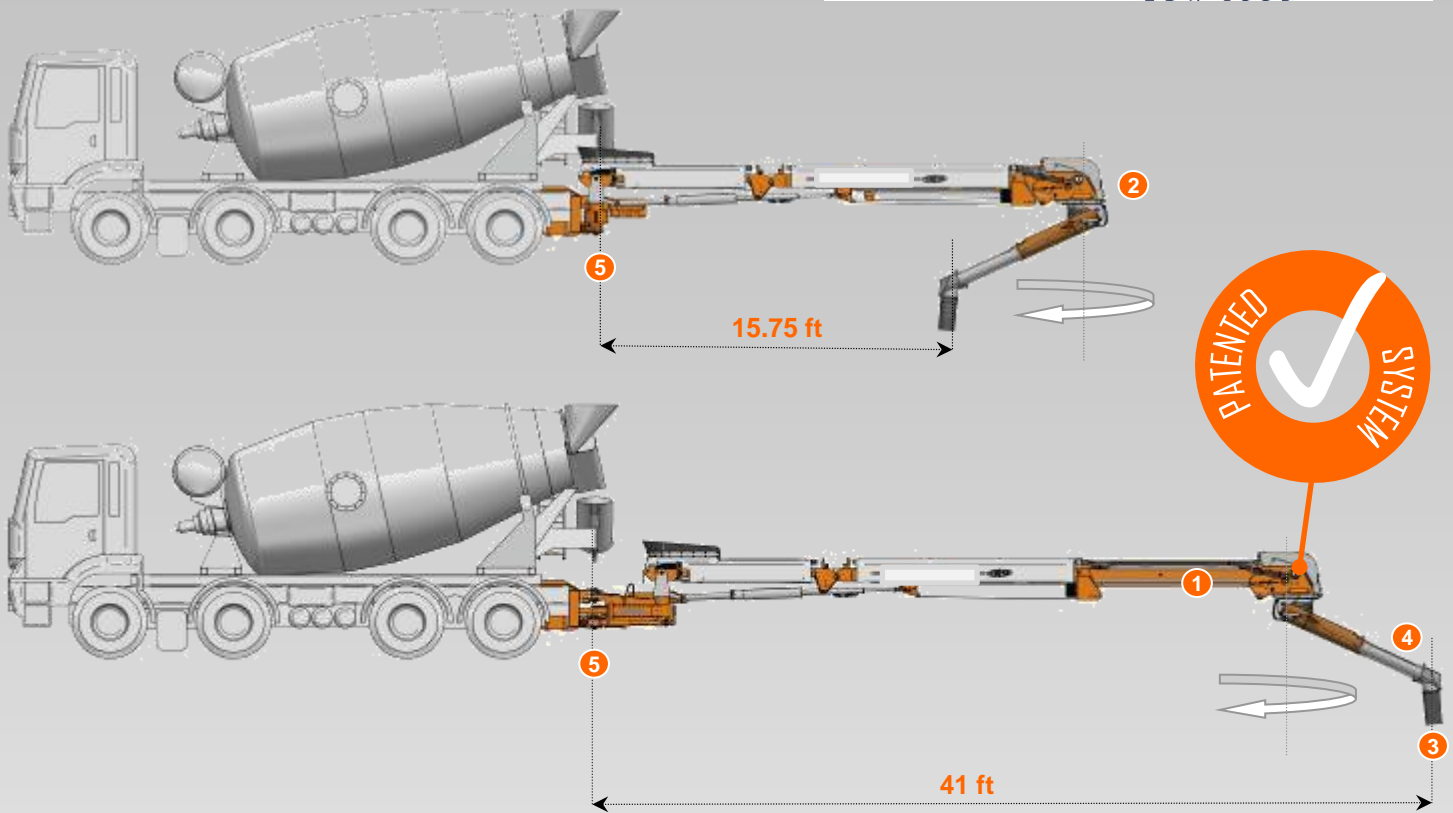


Updated: 09.30.2015



EST. 1953

Rotating chute – Telescope – Increased delivery area – 3D and chute extension included

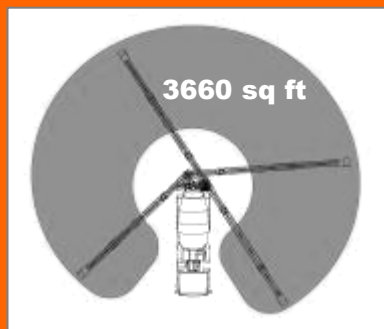


Delivery area

(approximately):

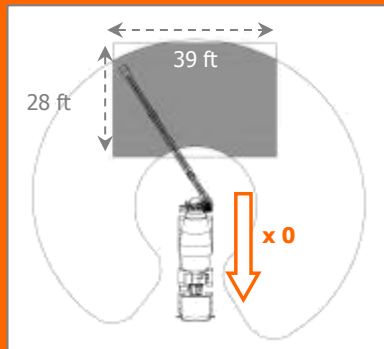


Compared to the same conveyor without rotating chute.



Example :

T3D12 conveyor covers the area of a standard house of 39 x 28 ft without moving the truck.



Technical features

Conveying distance	from 15.75 up to 41 ft
Belt width	14.17 in
Max. discharge rate	92 cu yds / h
Rotation	310°
Max. discharge height	18.05 ft
Weight	4,000-4,400lbs
Steel structure	
No stabilizer (* for a 8x4)	

The best flexibility

- Telescope of 7.23 ft on the second section ①
- 360° rotating chute ②
- 3D extension, ideal for shuttered walls ③
- Chute extension to gain 3.3 ft ④
- 310° rotation around the truck ⑤

The best investment

Several standard options (3D extension, dual rubber reception hopper, chute extension, semi-proportional controls ...)

A delivery quality

- Wireless radio control for optimum versatility
- Hood with quick opening for cleaning
- Sliding system preventing concrete segregation and compatible with every kind of concrete plasticity
- Time saving (no stabilizer*)

Optional equipments

- High pressure washer
- Full-proportional controls for greater precision
- High voltage power line detector
- Detachable system