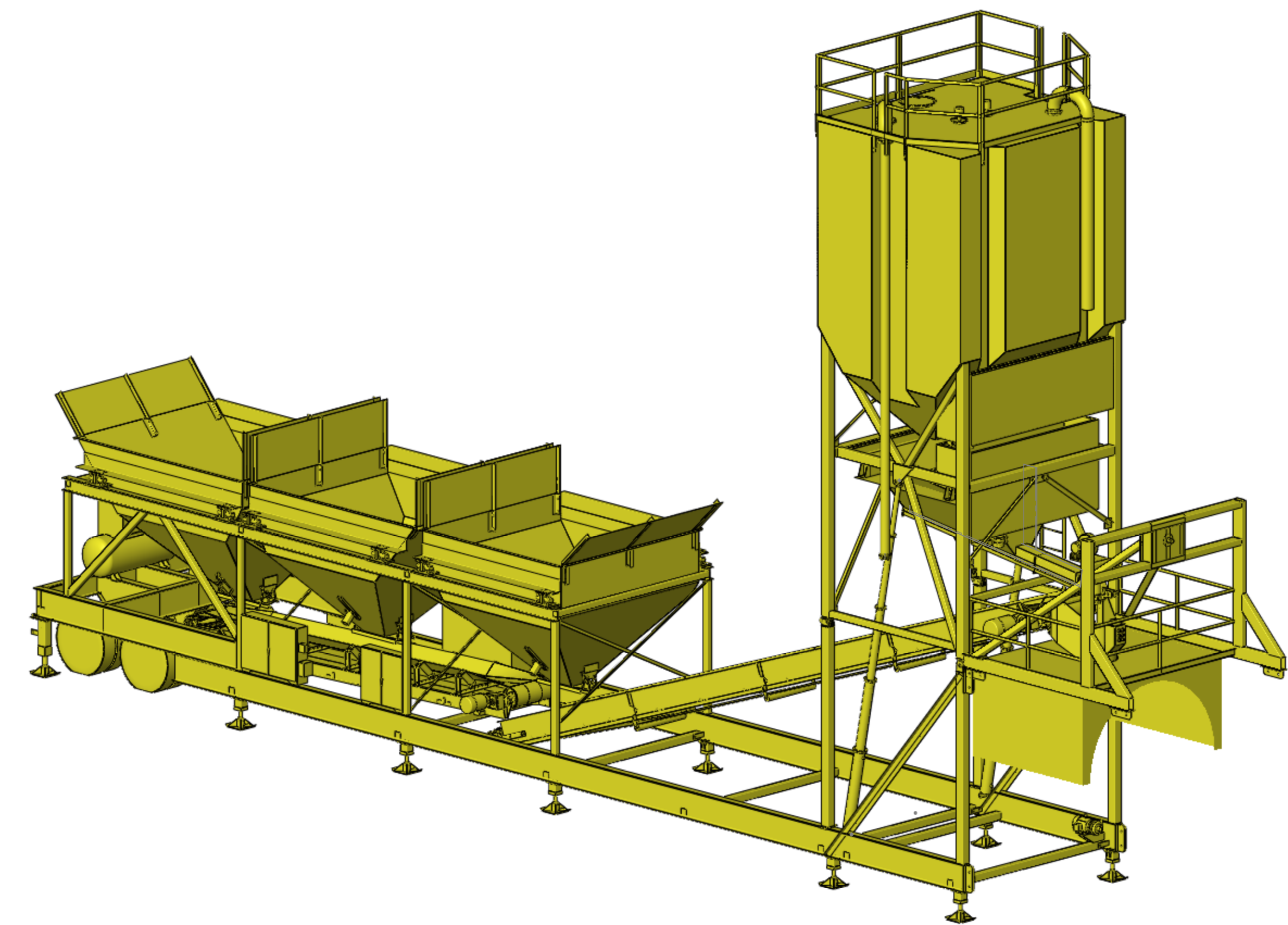
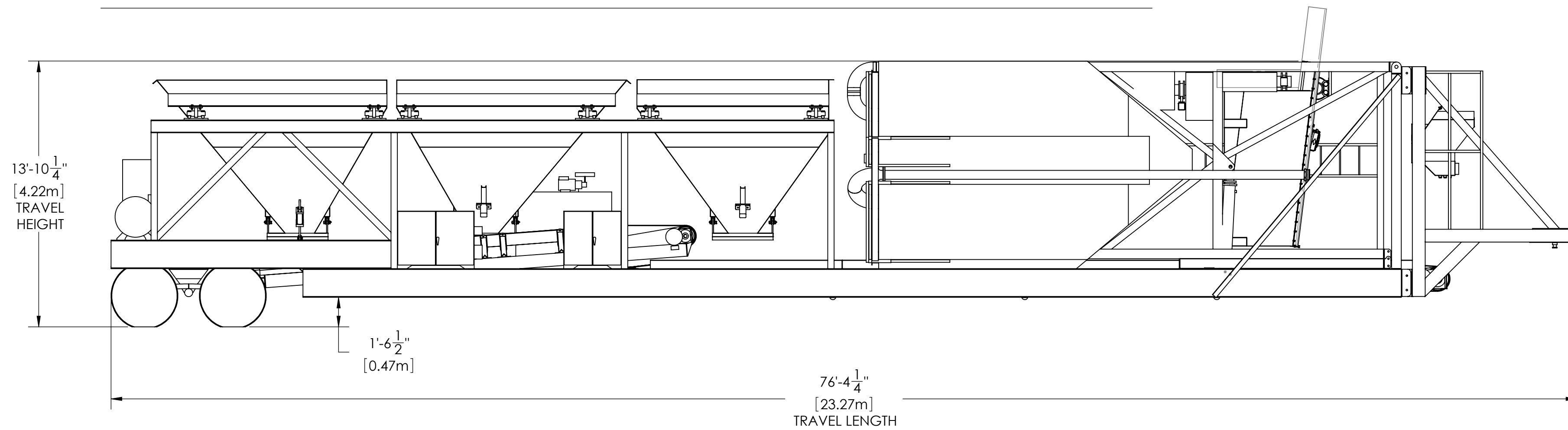
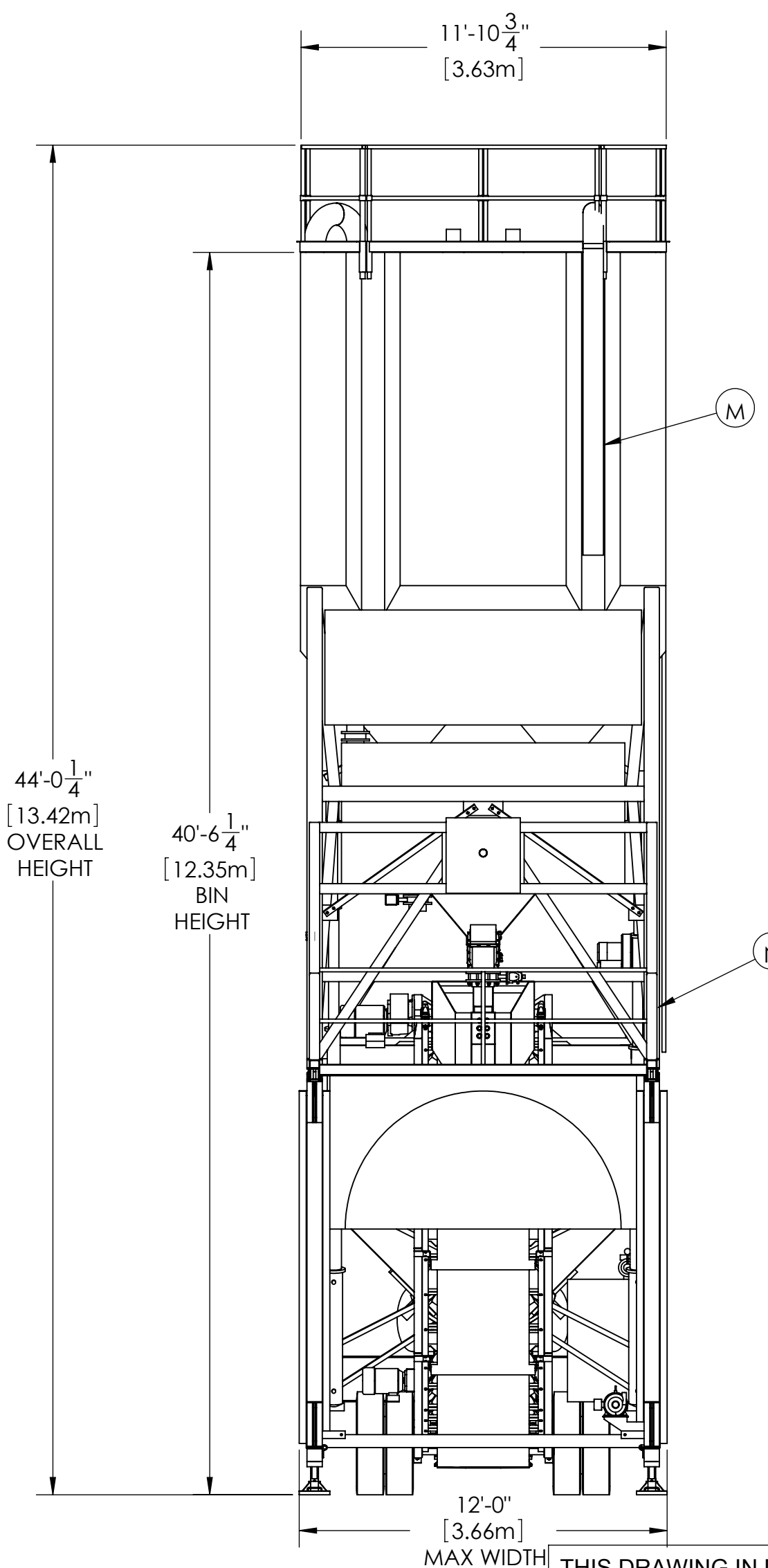
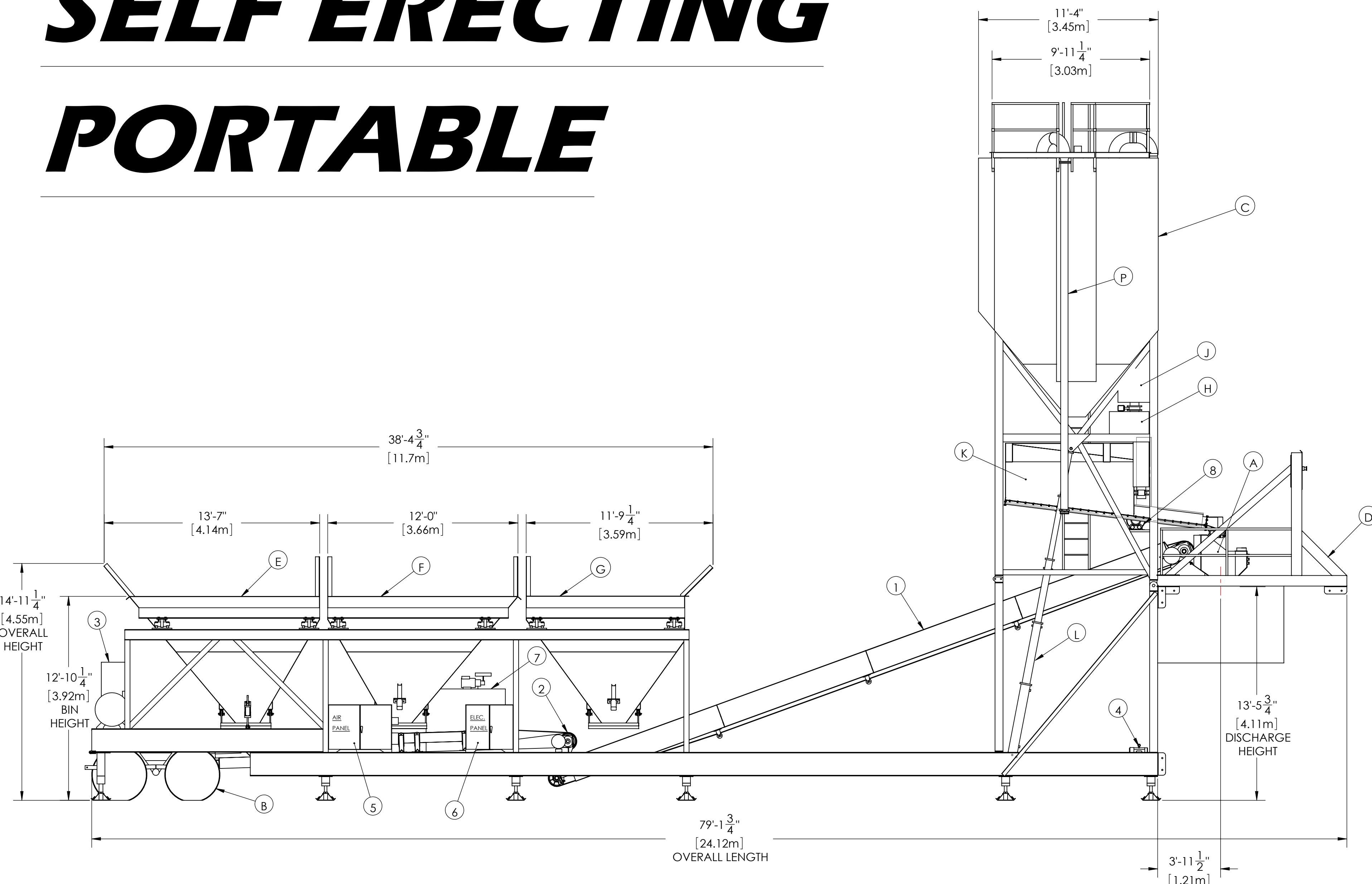


RENEGADE



SELF ERECTING PORTABLE



ELECTRICAL	
ITEM #	- DESCRIPTION -
1	36" X 42'-0", 1000TPH - 350 FPM, 25 HP BELT CONVEYOR W/ 35° TROUGHING IDLERS
2	30" X 22'-0", 1000 TPH - 350 FPM, 10 HP, BELT CONVEYOR, W/ 35° TROUGHING IDLERS
3	10 HP AIR COMPRESSOR
4	2" WATER PUMP, 5 HP, 160 GPM
5	36"H X 48"W X 10"D, AIR PANEL
6	36"H X 36"W X 8"D, ELECTRICAL PANEL
7	HYDRAULIC PUMP
8	2.5 HP AERATION BLOWER

MECHANICAL	
ITEM #	- DESCRIPTION -
A	36" X 24" HEAVY DUTY DISCHARGE HEAD
B	DUAL AXLE TRANSPORTATION
C	1640 CU/FT - 60 TON, CEMENT SILO
D	INTEGRATED 5TH WHEEL, TRUCK DUST SHROUD, AND SERVICE DECK
E	SAND BIN/BATCHER - 25.4 CU/YD - 34.3 TONS
F	ROCK BIN #1/BATCHER, 25.4 CU/YD - 34.4 TONS
G	ROCK BIN #2/BATCHER - 24.9 CU/YD - 33.6 TONS
H	500 GALLON WATER BATCHER
J	520 GALLON WATER SURGE TANK
K	130 CU/FT CEMENT WEIGH BIN WITH HINGED AIRSLIDE DISCHARGE
L	FOUR (4) STAGE HYDRAULIC CYLINDER (X2)
M	VENT LINE TO CENTRAL DUST COLLECTOR (TRAVELS IN PLACE)
N	SILO ROOF ACCESS LADDER (TRAVELS IN PLACE)
P	5" FILL LINE (AIR LOADER) FOR SILO (TRAVELS IN PLACE)

R&S INDUSTRIES
1-866-817-7838

TITLE
SELF ERECTING,
PORTABLE
CONCRETE BATCH PLANT

DRAWN BY F.R. DATE 1/21/2009
 MODELED BY F.R.
 DWG NO. THE RENEGADE (GENERAL ASSEMBLY)
 SHEET 1 OF 1

THIS DRAWING IN DESIGN AND DETAIL IS OUR PROPERTY AND MUST NOT BE USED EXCEPT IN CONNECTION WITH OUR WORK. ALL RIGHTS OF DESIGN OR INVENTION ARE RESERVED. DIMENSIONS AS INDICATED. DO NOT SCALE