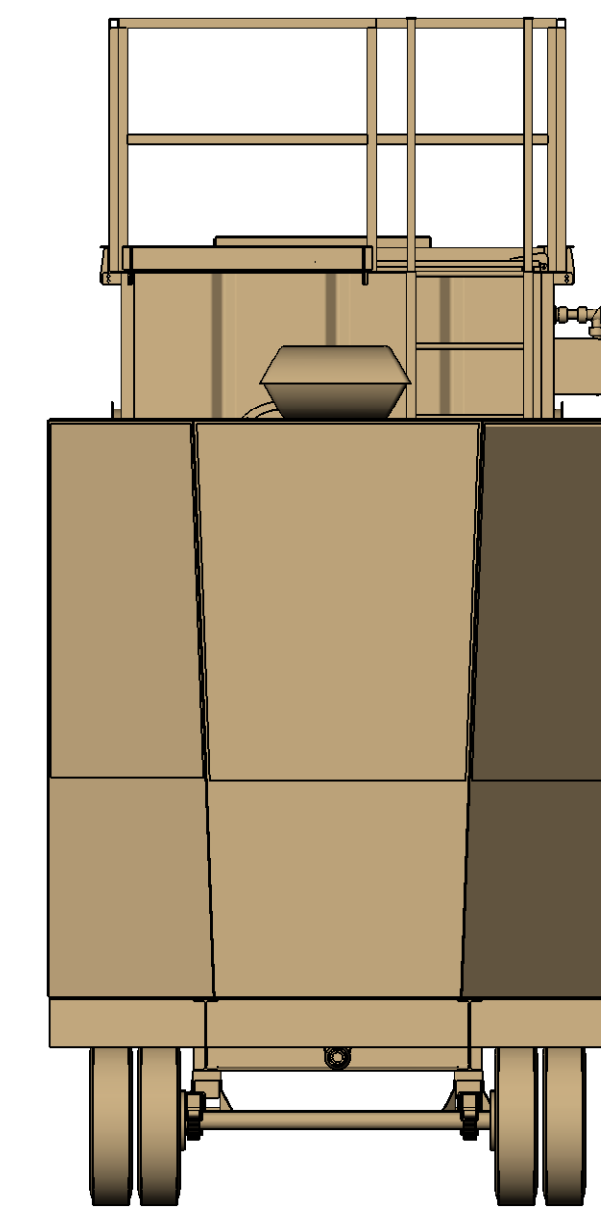
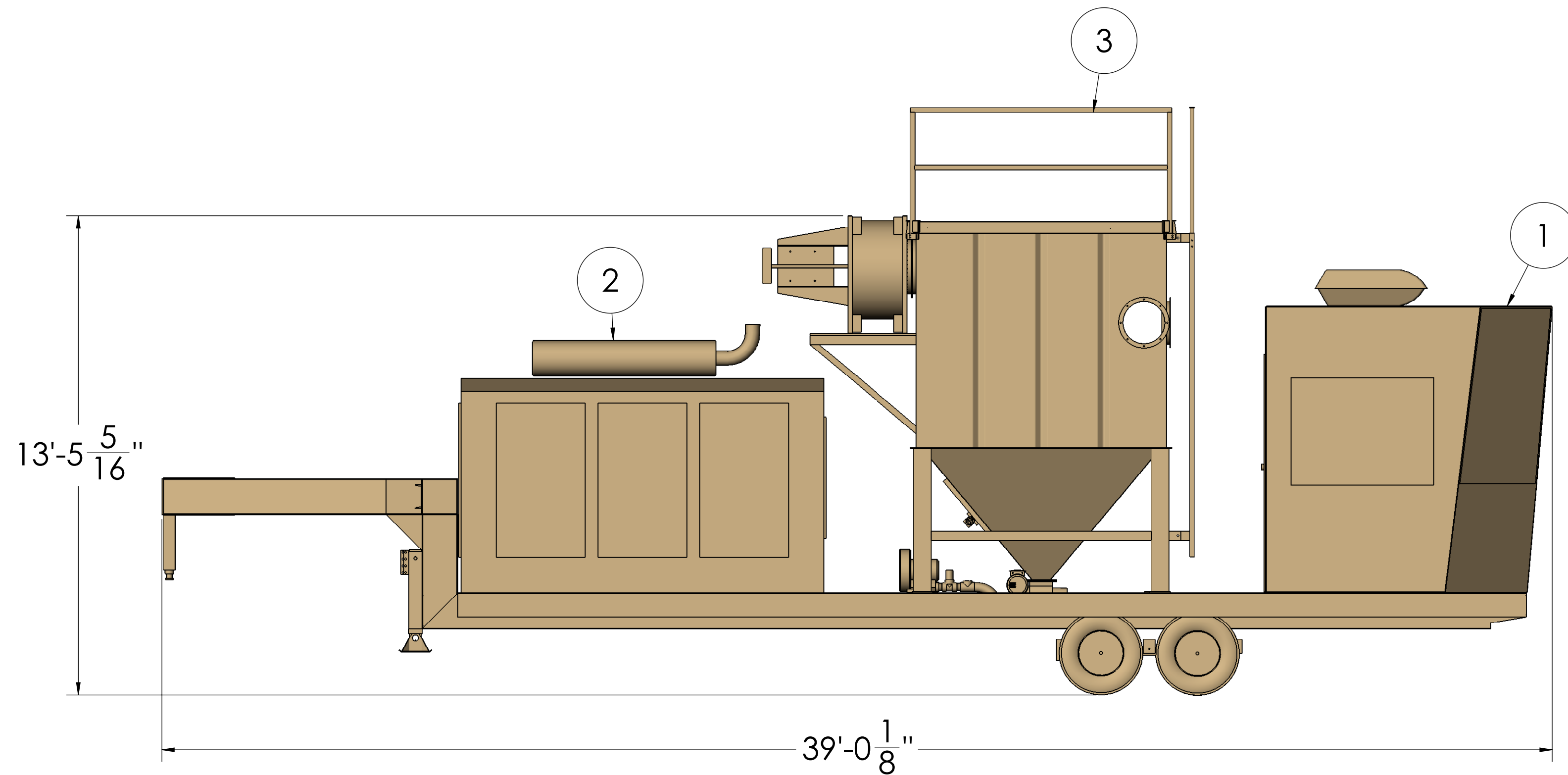
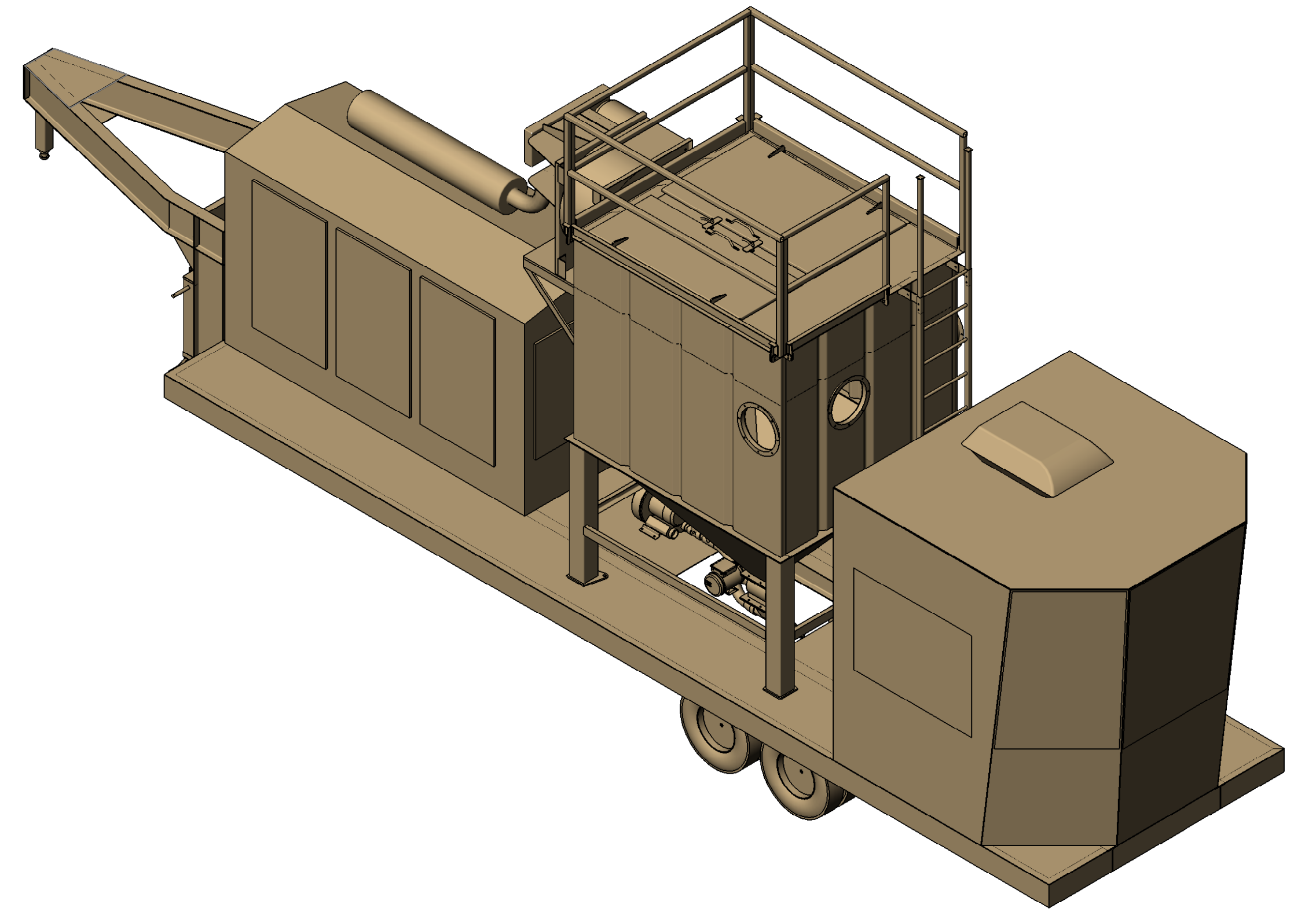
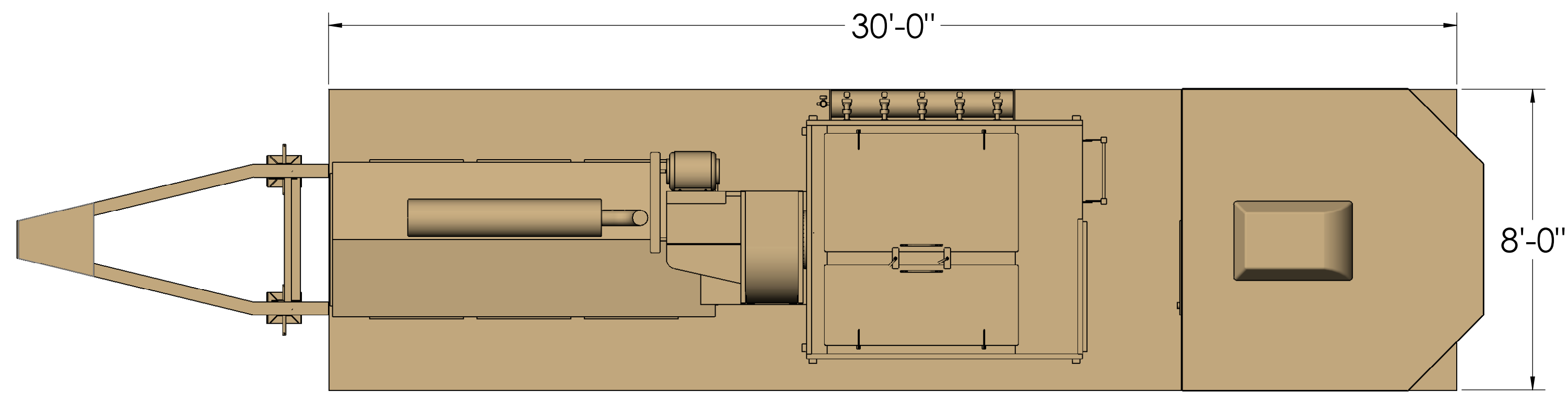


ITEM NO.	PART NUMBER	QTY.	DESCRIPTION
1	OB2	1	8' X 8' CONTROL HOUSE
2	275REOZJB	1	275REOZJD GENERATOR
3	PJC-1250	1	PJC-1250 DUST COLLECTOR



R&S INDUSTRIES
1-866-817-7838

TITLE
RENEGADE CONTROL AND
DUST COLLECTION TRAILER

THIS DRAWING IN DESIGN AND DETAIL IS OUR PROPERTY AND MUST NOT BE USED EXCEPT IN CONNECTION WITH OUR WORK. ALL RIGHTS OF DESIGN OR INVENTION ARE RESERVED. DIMENSIONS AS INDICATED. DO NOT SCALE	DRAWN BY G.B.	DATE 1/26/2009
	MODELED BY G.B.	REV 0
	DWG NO. RNAUX-S08	
	SHEET 1 OF 1	